

## PRODUCT SPECIFICATIONS

ITEM NUMBER	MODEL DESCRIPTION	MAX. PRESSURE		VOLTAGE	FREQUENCY	HP	kW	NET WT.		AMPS	TANK SIZE
		PSI	BAR					lbs.	kg		
1068906	2x106R-40B	116	8	230 VAC	50/60Hz	1.5	1.1	113	51	6.3/7.1	40L

**NOTES:**

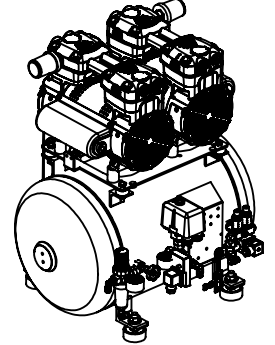
1. TECHNICAL DATA SUBJECT TO CHANGE WITHOUT NOTICE
2. ALL DIMENSIONS ARE FOR REFERENCE ONLY.

AMBIENT: 5/40 °C

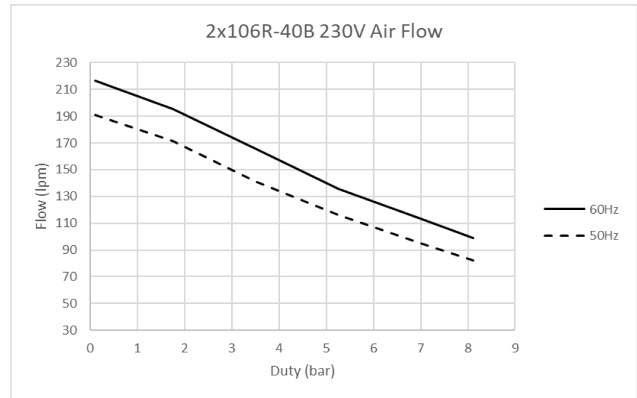
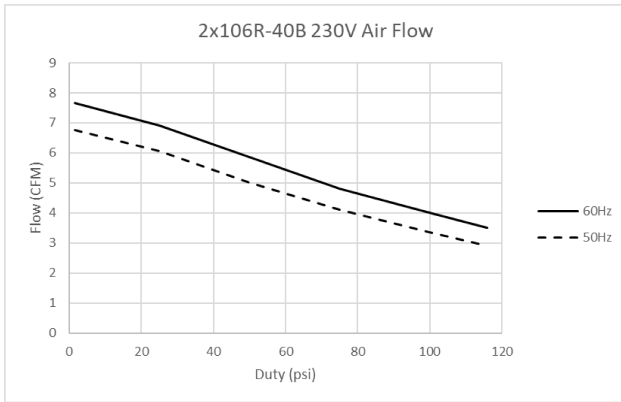
RELATIVE HUMIDITY: 20-80% NON CONDENSING

ENVIRONMENT: CLEAN DUST FREE

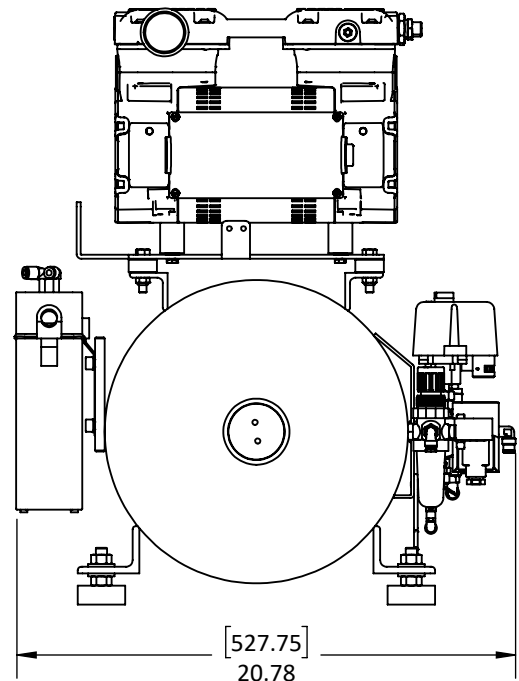
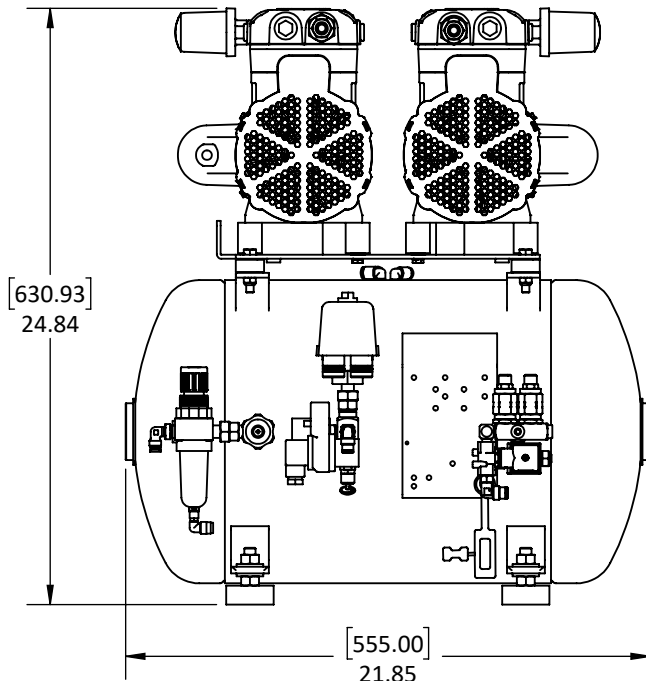
REGULATORY: CERTIFICATION PENDING



**PRODUCT PERFORMANCE:**



**PRODUCT DIMENSIONS:**





# WolfLabs

**Pricing on any accessories shown can be found by keying the part number into the search box on our website.**

The specifications listed in this brochure are subject to change by the manufacturer and therefore cannot be guaranteed to be correct. If there are aspects of the specification that must be guaranteed, please provide these to our sales team so that details can be confirmed.

**[www.wolflabs.co.uk](http://www.wolflabs.co.uk)**

**Tel : 01759 301142**

**Fax : 01759 301143**

**[sales@wolflabs.co.uk](mailto:sales@wolflabs.co.uk)**

Please contact us if this literature doesn't answer all your questions.